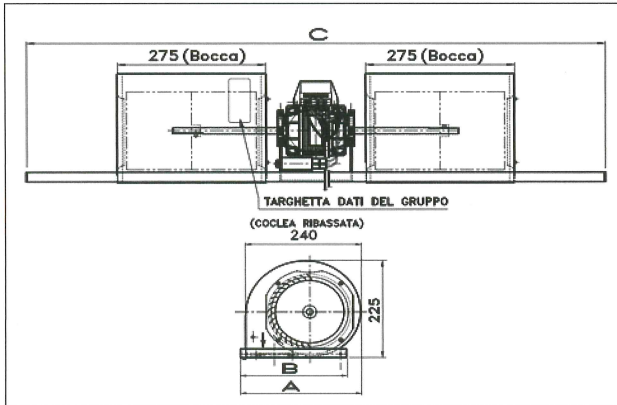
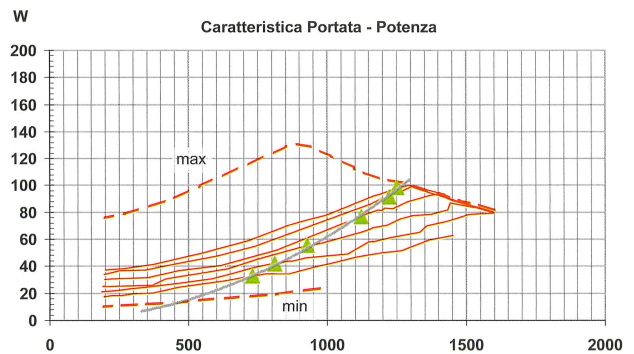
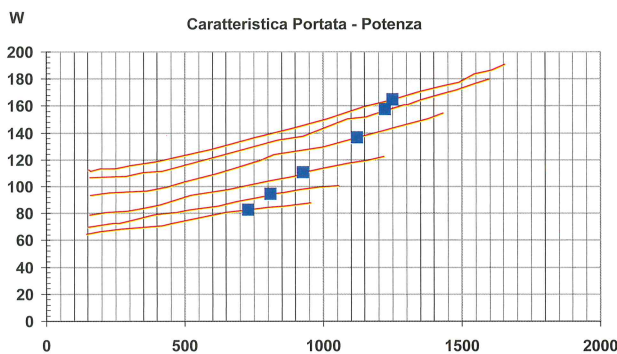
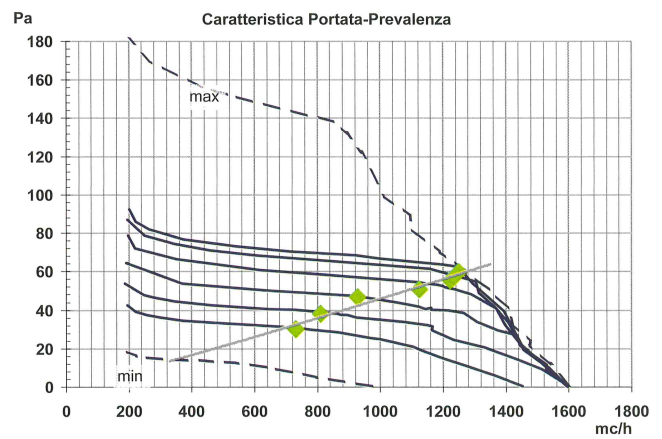
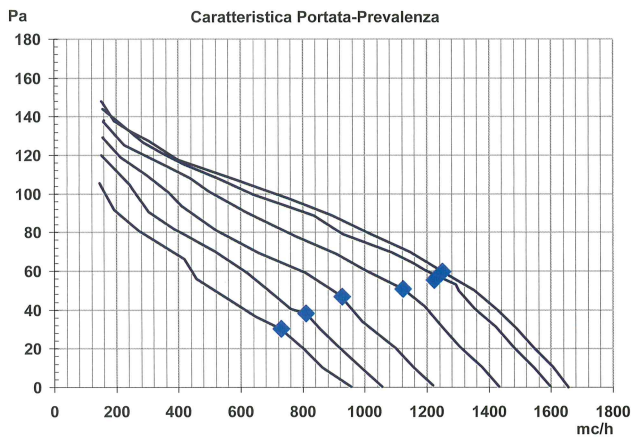
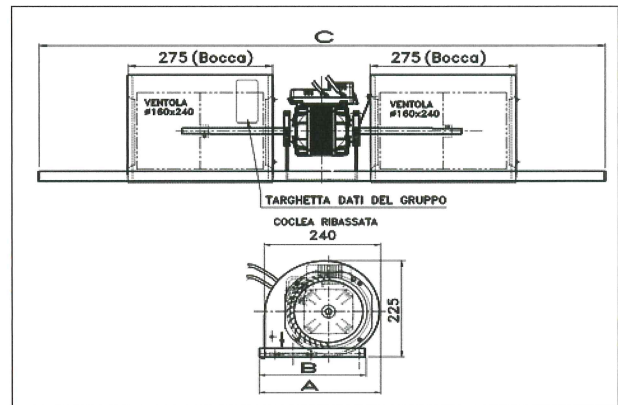


Motore AC **101B4075/4Q**



Motore EC **EC101B40200/15**



Input Power comparison (test made with a standard reference fan coil)				
Speed	Air flow [mc/h]	Pressure [Pa]	AC Motor [W]	EC Motor [W]
S Max	1249	59,5	164	98
Max	1222	55,0	157	91
S Med	1122	50,4	136	76
Med	926	46,3	110	55
S Min	809	38,0	94	41
Min	730	30,0	82	32,0

AC motor: 101B4075/4Q 4,0µF
EC motor EC101B40200/15