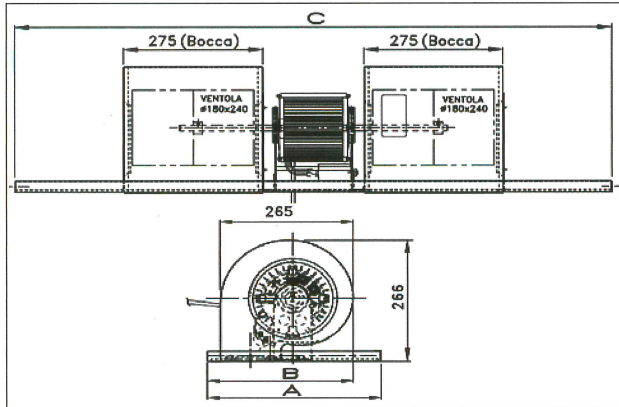
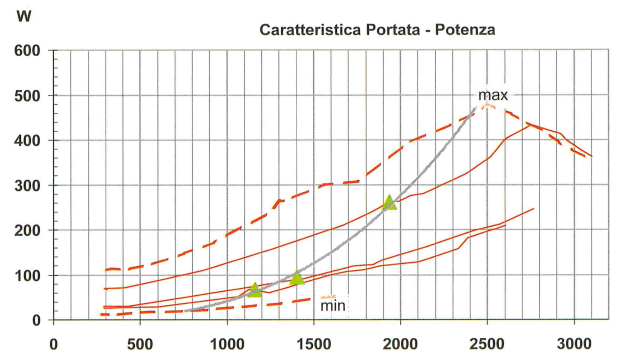
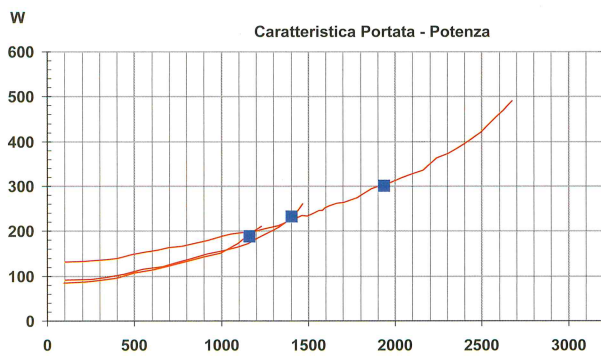
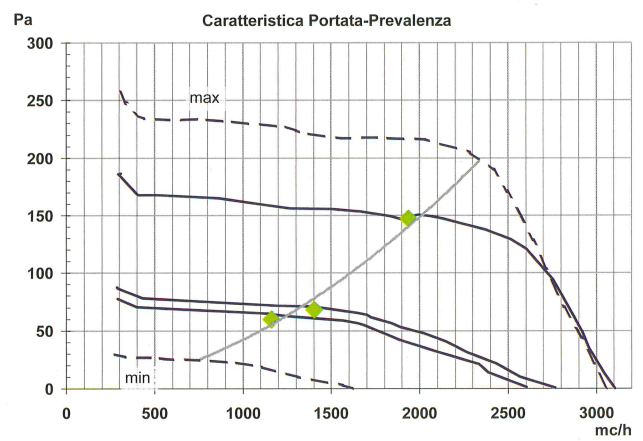
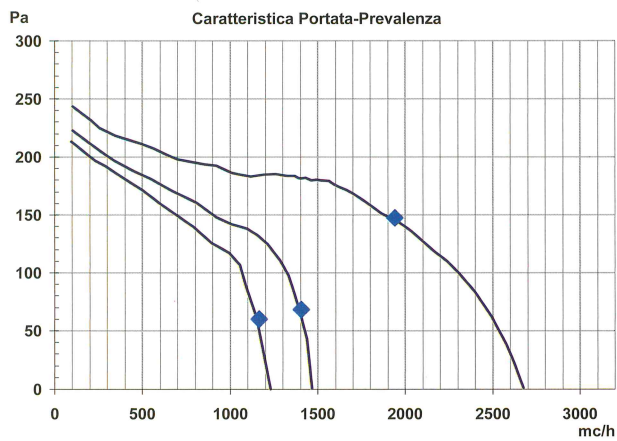
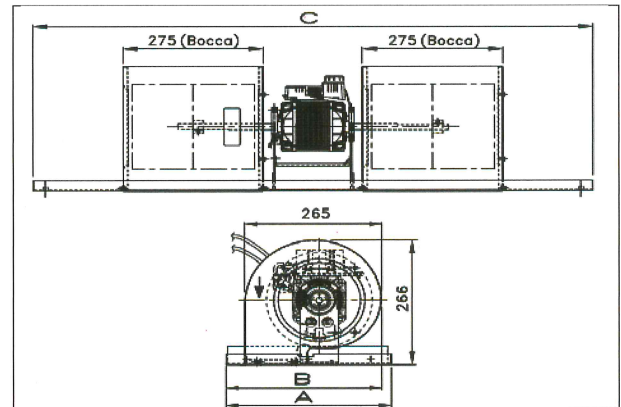


Motore AC **123B50250/35**



Motore EC **EC101B65260/2**



Input Power comparison (test made with a standard reference fan coil)				
Speed	Air flow [mc/h]	Pressure [Pa]	AC Motor [W]	EC Motor [W]
Max	1935	147	300	261
Med	1401	68	232	95
Min	1160	60	188	66

AC motor: 123B50250/35 5,0µF  
EC motor EC101B65260/2